

WIRING DIAGRAMS

Fig. 1: Engine Compartment (Grids 1-3)

1987 BMW 735i

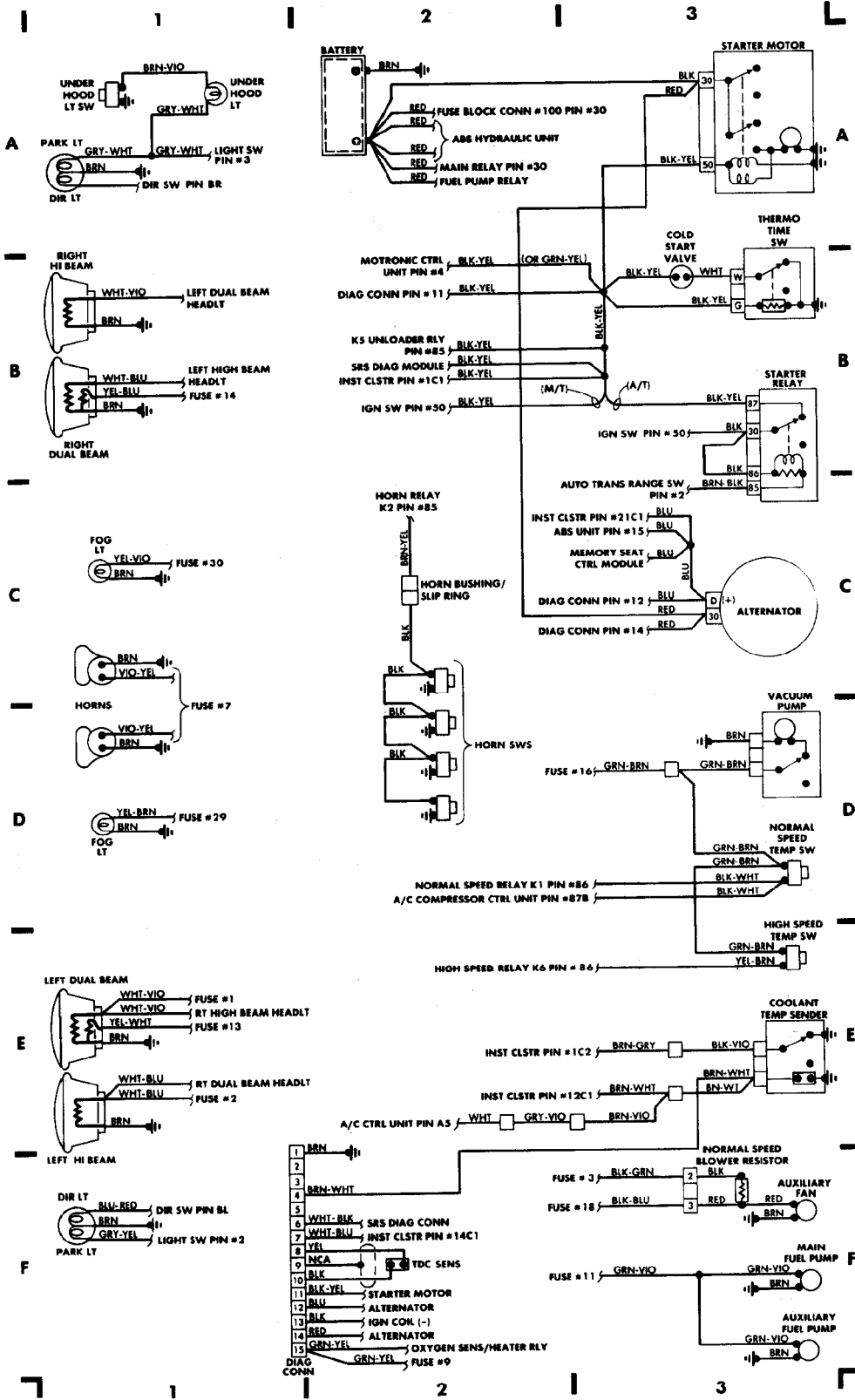
For DIAKOM-AUTO <http://www.diakom.ru> Taganrog support@diakom.ru (8634)315187

Copyright © 1998 Mitchell Repair Information Company, LLC

Friday, November 03, 2000 04:03PM

COMPONENT LOCATOR:

A/C AIR VOLUME/TEMP SEL SWITCH	C-F 20
A/C COMP CTRL UNIT	F 22
A/C COMP RELAY	E 22
A/C CTRL UNIT	A-F 23
A/C FUNCTION SW	A-F 16-19
A/C IN-LINE FUSE	C 20-21
ACTIVE CHECK CTRL UNIT	A-E 31
ALARM HORN	D 67
ALTERNATOR	C 3
ANTI-LOCK BRAKE SYSTEM (ABS)	A-B 12-15
AUTO CHARGE FLASHLIGHT	A-B 27
AUTO TRANS DISPLAY	D 14
AUTO TRANS RANGE SW	D-E 15
AUXILIARY FAN	F 3
BACK-UP LT SW	E 43
BATTERY	A 2
BLOWER FINAL STAGE 1	A 21
BLOWER FINAL STAGE 2	A 22
BLOWER MOTOR	A 21
BRAKE ACCUM PRES SW	F 31
BRAKE FLUID LEVEL SW	F 31
BRAKE LT RELAY	B 40
BRAKE SENSOR	B 30
BRAKE SW	C 15
CENTER CONSOLE LTS	E-F 25-26
CENTRAL LOCKING CTRL SYSTEM	A-B 40-43
CHIME MODULE	E 27
CIG LTR (FNT)	A 27
CIG LTR (REAR)	D 42
CLUTCH SW	E 5
COLD START VALVE	B 3
COMPUTER BOX RELAY	D-E 7
COOLANT LEVEL SW	D 30
COOLANT TEMP SENDER	D-E 3
CRUISE CTRL SYSTEM	D-E 4-6
DIAG CONN	F 12
DIRECTIONAL/BEAM SEL SW	D-E 24
DOME LTS	B-C 25
DOOR SWS	D 25-26
EVAPORATIVE TEMP SW	E 22
FOG LTS/INTERIOR LTS SW	B-C 27
FOG LT RELAY K8	B 10
FUSE BLOCK	A-E 8-11
FUSE NUMBER & AMP CHART	F 7-8
FUEL PUMP RELAY	C-D 7
FUEL TANK UNIT	D 30
GLOVE BOX LT	A 27
HAZARD SW/FLASHER	E-F 24
HIGH BEAM RELAY K3	C 9
HIGH SPEED RELAY K6	D 10
HORN BUSHING/SLIP RING & SWITCHES	C-D 2
HORN RELAY K2	D 9
HYDRAULIC PRES SW	F 31
IGNITION COIL	A 4
IGNITION SW	C-D 12
INSTRUMENT CLUSTER	A-F 28-29
INTERIOR LT CTRL TIMER	C-D 27
LIGHT SW	B-D 24
LOCK HEATER CTRL UNIT	A 39
LOW BEAM CHECK RELAY	A 9
LOW BEAM RELAY K4	B 9
MAIN/AUXILIARY FUEL PUMP	F 3
MAIN RELAY	A 7
MAP READING LT	D 41
MEMORY SEAT CTRL MOD	A-E 35
NORMAL SPEED BLOWER RESISTOR	F 3
NORMAL SPEED RELAY K1	E 9
NORMAL/HIGH SPEED TEMP SWITCHES	D-E 3
OIL LEVEL SENSORS	C-D 30
OIL PRES SW	E 30
ON BOARD COMPUTER MODULE (OBC)	E-F 7
PARK BRAKE SW	E 30
POWER ANTENNA	E 32
POWER MIRROR CTRL SYSTEM	E-F 34-35
POWER SEAT CTRL SYS (DRIVER)	A-D 32-35
POWER SEAT CTRL SYS (PASSENGER)	B-F 36-39
POWER WINDOW SYSTEM	E-F 40-42
REAR DEFOG SYSTEM	F 32
REAR LTS CHECK RELAY	C-D 40
SEAT BELT WARN CHIME	F 27
SEAT HEATER SYSTEM	A-C 38
SPEED SENSOR	D 30
SRS SYSTEM	A 24-26
STARTER MOTOR	A 3
STARTER RELAY	B 3
SUNROOF SYSTEM	D-F 42
TRUNK LOCK MOTOR	B-C 41
TRUNK LT/SW	D 42
UNLOADER RELAY K5	E 10
UNLOADER RELAY K7	C 10
VACUUM PUMP	D 30
WASHER FLUID LEVEL SW	D 30
WIPER/WASHER SYSTEM	D-F 12-14



64210

ENGINE COMPARTMENT